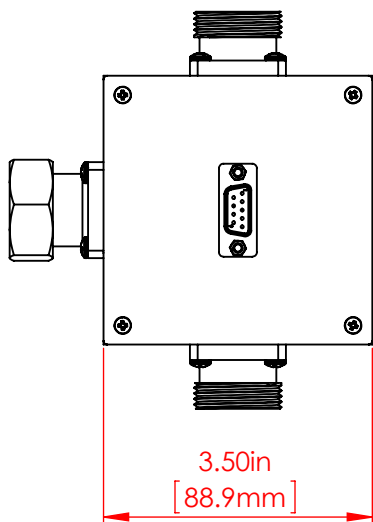
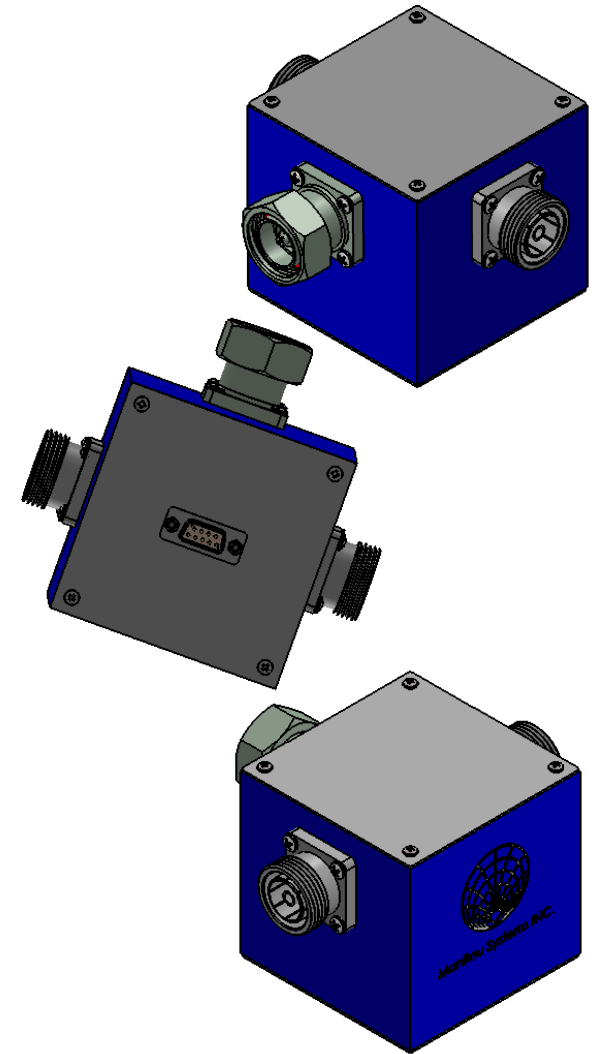
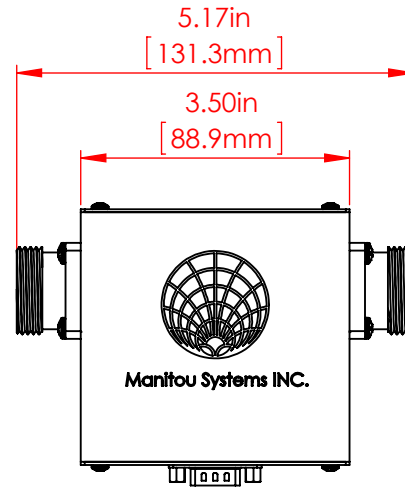
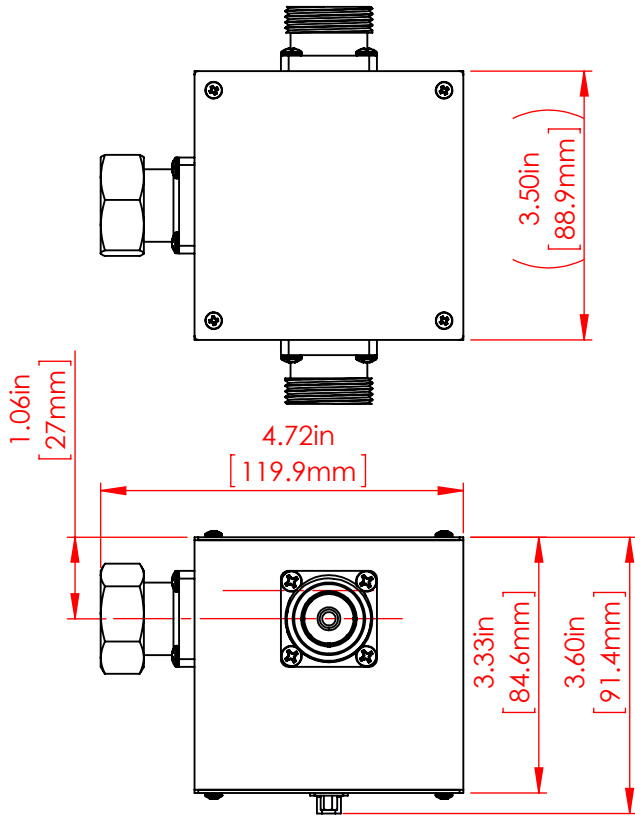
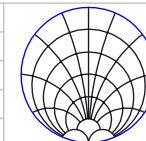


REVISIONS			
REV.	DESCRIPTION	DATE	APPROVED
A	INITIAL RELEASE	12/01/16	



PROPRIETARY AND CONFIDENTIAL
 THE INFORMATION CONTAINED IN THIS DRAWING IS THE SOLE PROPERTY OF MANITOU INC. ANY REPRODUCTION IN PART OR AS A WHOLE WITHOUT THE WRITTEN PERMISSION OF MANITOU INC. IS PROHIBITED.

		Unless Otherwise Specified			NAME	DATE
		.XX ±.01	.XXX ±.005	X° ±1°	DRAWN	12/01/16
		Edges: BREAK .005R MAX			CHECKED	
		Inside Cor Radii: .005R			ENG APPR.	
		Outside Cor Radii: .005R OR CHAMFER			MFG APPR.	
		Dim. in Inches () MM			Q.A.	
		MATERIAL SEE B.O.M.			COMMENTS:	
NEXT ASSY	USED ON	FINISH NA				
APPLICATION		DO NOT SCALE DRAWING				



MANITOU SYSTEMS INC.

Title: MATRIX MINI RF/DC SWITCH MODULE-HIGH CURRENT VERSION

SIZE	DWG. NO.	REV.
A	00010221	A
SCALE:1:2	WEIGHT:	SHEET 1 OF 1