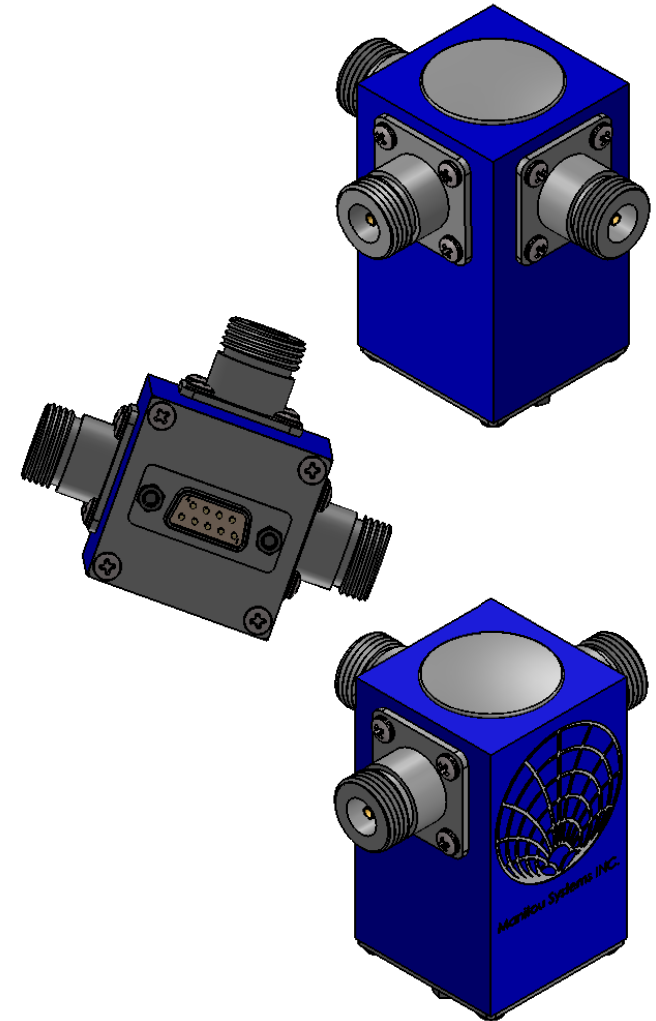
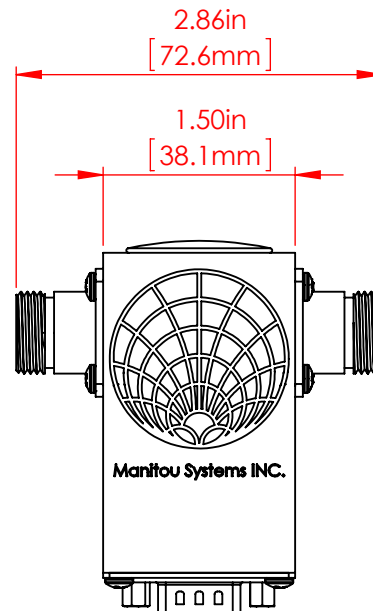
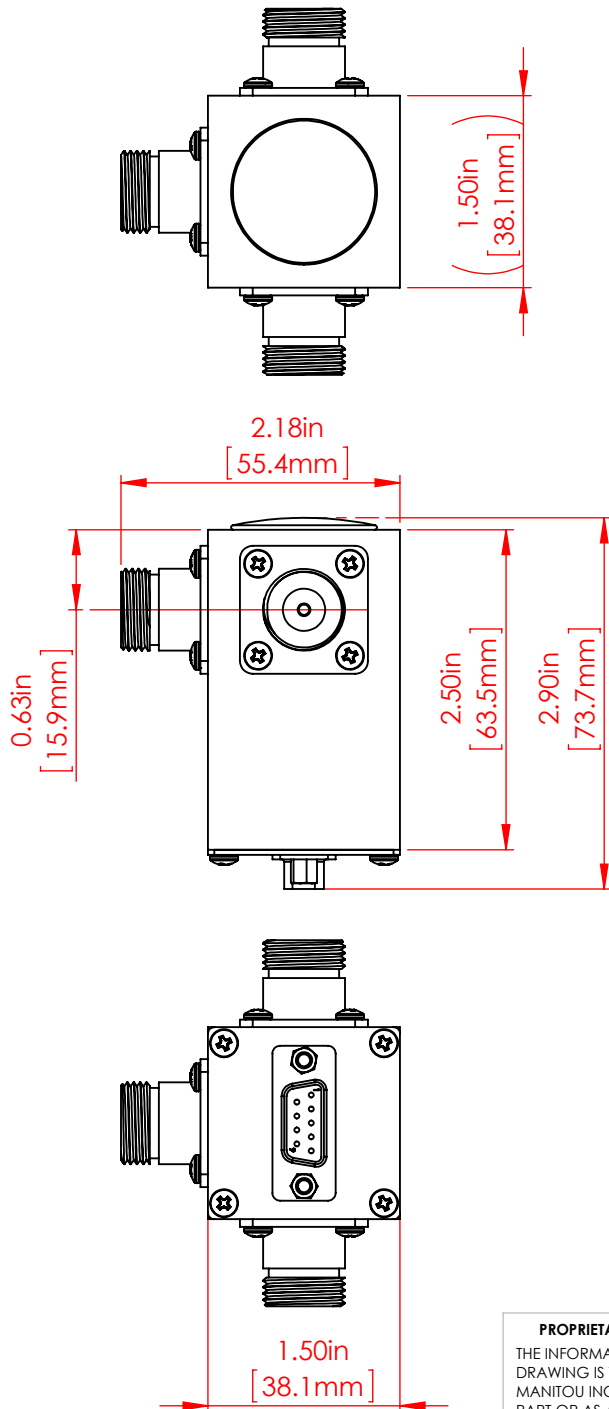

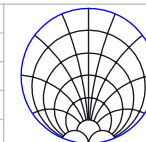


REVISIONS			
REV.	DESCRIPTION	DATE	APPROVED
A	INITIAL RELEASE	11/29/16	



**PROPRIETARY AND CONFIDENTIAL**  
 THE INFORMATION CONTAINED IN THIS DRAWING IS THE SOLE PROPERTY OF MANITOU INC. ANY REPRODUCTION IN PART OR AS A WHOLE WITHOUT THE WRITTEN PERMISSION OF MANITOU INC. IS PROHIBITED.

		Unless Otherwise Specified			NAME	DATE
		.XX ±.01	.XXX ±.005	X° ±1°	DRAWN Mark Hamblin	11/29/16
		Edges: BREAK .005R MAX			CHECKED	
		Inside Cor Radii: .005R			ENG APPR.	
		Outside Cor Radii: .005R OR CHAMFER			MFG APPR.	
		 Dim. in Inches ( ) MM			Q.A.	
		MATERIAL SEE B.O.M.			COMMENTS:	
		FINISH SEE DETAILS				
NEXT ASSY	USED ON					
APPLICATION		DO NOT SCALE DRAWING				



**MANITOU  
SYSTEMS  
INC.**

Title: MATRIX MINI RF/DC SWITCH MODULE - LOW CURRENT VERSION

SIZE <b>A</b>	DWG. NO. 00010220	REV. <b>A</b>
SCALE:1:2	WEIGHT:	SHEET 1 OF 1