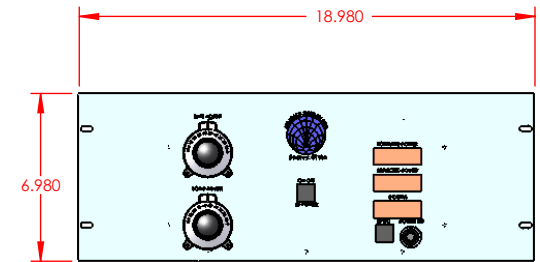
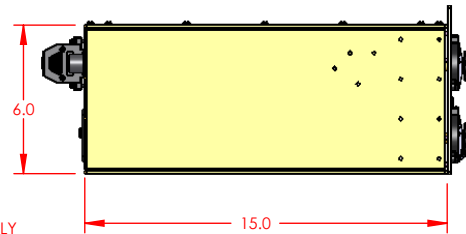
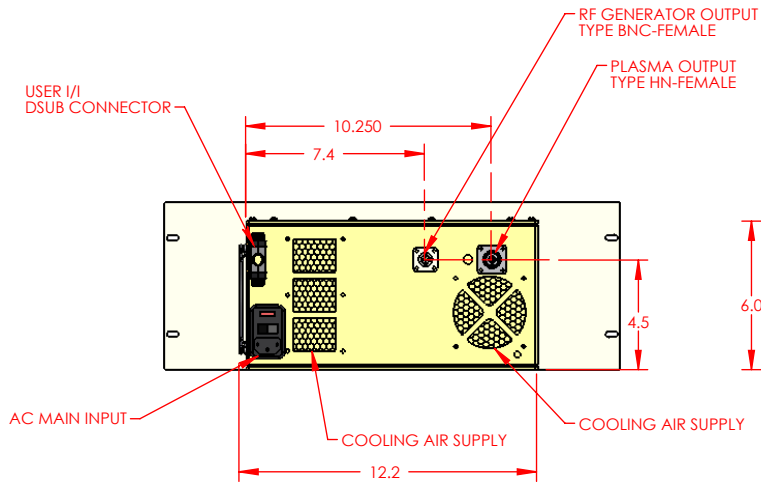
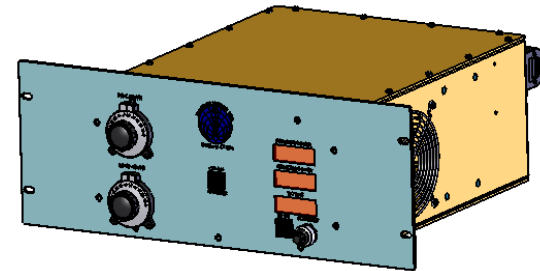
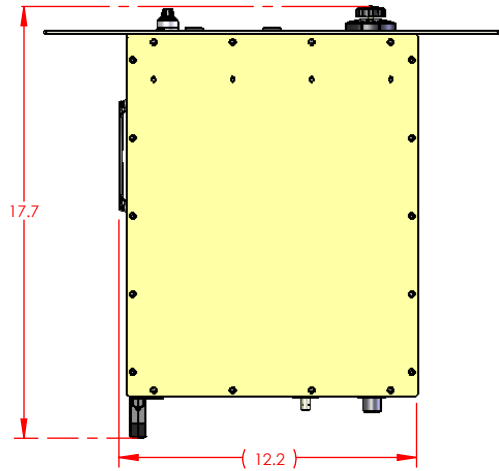
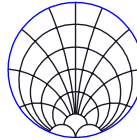


REVISIONS			
REV.	DESCRIPTION	DATE	APPROVED
A	INITIAL RELEASE	03/26/14	



**PROPRIETARY AND CONFIDENTIAL**  
 THE INFORMATION CONTAINED IN THIS DRAWING IS THE SOLE PROPERTY OF MANITOU INC. ANY REPRODUCTION IN PART OR AS A WHOLE WITHOUT THE WRITTEN PERMISSION OF MANITOU INC. IS PROHIBITED.

		Unless Otherwise Specified			NAME	DATE
		.XX	.XXX	X°	DRAWN	
		±.01	±.005	±1°	CHECKED	
		Edges: BREAK .005R MAX			ENG APPR.	
		Inside Cor Radil: .005R			MFG APPR.	
		Outside Cor Radil: .005R OR CHAMFER			Q.A.	
		Dim. in inches ( ) MM MATERIAL			COMMENTS:	
NEXT ASSY	USED ON	FINISH				
APPLICATION		DO NOT SCALE DRAWING				



**MANITOU  
SYSTEMS  
INC.**

Title: **MODEL PB3-MD**

SIZE	DWG. NO.	REV.
<b>A</b>	<b>PB3-MD</b>	

SCALE: 1:8      WEIGHT:      SHEET 1 OF 1