

Manitou Systems Inc.



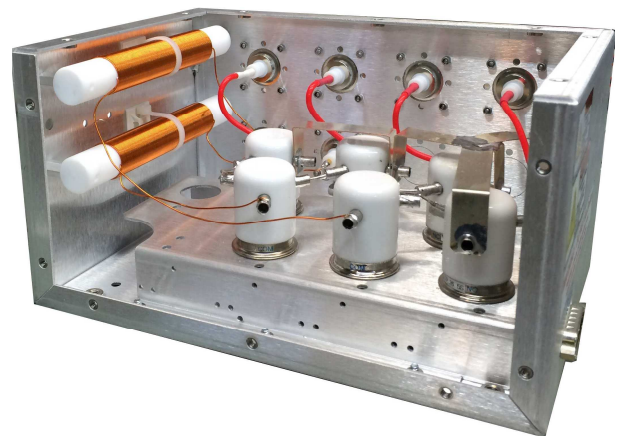
MATRIX SWITCH MODULES

- REMOTE CONTROL OF PLASMA GENERATORS AND LOADS
- MAGNETRON SPUTTER SOURCES
- RF AND DC POWER GENERATORS
- INTERNAL RF BLOCKING FILTER
- MANY SWITCHING CONFIGURATIONS

Matrixx™ Switch Modules are designed to solve many plasma process system integration challenges. These modules enable one or more plasma power supply(s) (RF or DC) to be remotely switched between multiple magnetron cathodes.

Manitou offers many configurations to satisfy simple or complex switching requirements. Vacuum relays are used to perform the switching function. All interconnect wiring consists of silver plated, low resistivity conductors. Various industry standard coaxial connectors are employed to complete the interface.

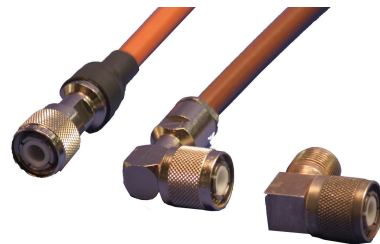
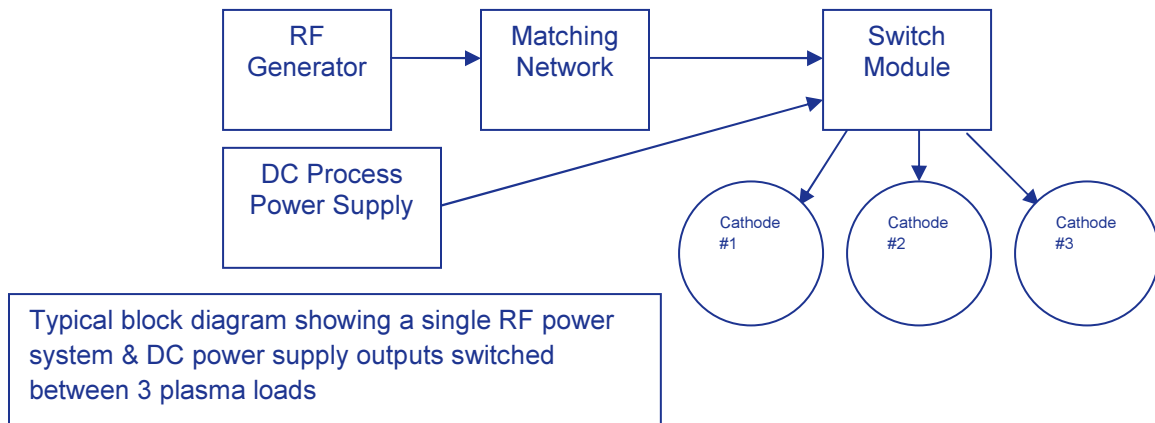
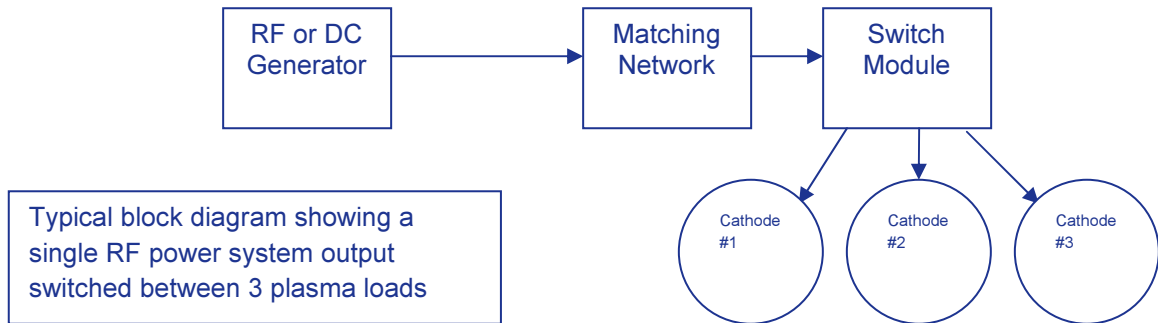
The image to the right shows a model with RF and DC power supply switching capability. The DC power supply port in this model includes an RF blocking filter designed to keep all conducted 13.56MHz RF energy from reaching the DC supply.



The image below shows the optional remote control panel with cables and DC power pack. This control panel may be used in the place of a system control computer or PLC.



The diagrams below show the most common configurations for small magnetron cathode applications. The top diagram switches an RF or DC power supply between 2 or more cathodes. The bottom diagram is slightly more complex and switches an RF and DC power supply between 2 or more cathodes. With this configuration, the user can power two cathodes at the same time, one with RF and the other with DC.



Please visit our website or contact us with your specific needs.

Manufactured in the USA

MANITOU SYSTEMS, INC.
Danbury, CT USA

Tel.203.733.2110 Fax.203.746.1459

Email: info@manitousys.com Web: www.manitousys.com

*Technical specifications are subject to change without prior notice.
See our web site or contact us directly for the latest specifications and pricing.*

April 2015

